



MP Power Pack A Series

The MP Power Pack A Series

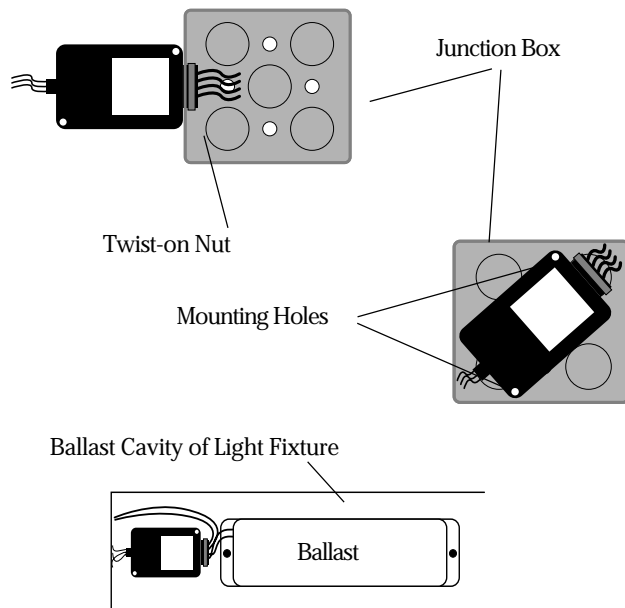
- Self-contained Transformer & Relay
- Regulated 24 VDC current, 100 mA output
- Mounts Inside or Outside Junction Box, or Inside Fluorescent Ballast Cavity
- Fast Installation
- Single or Multiple Luminaire Control
- Companion Slave Relay

GENERAL OPERATION

Containing both a 24 VDC supply and a 20 amp line voltage relay, this compact power pack will provide the low voltage power and the line voltage control for MYTECH occupancy sensors. The MP Power Pack A Series is also used to supply power to the MP-SA, the slave (relay only) model of the MP-x-A.

COMPACT SIZE, EASY MOUNTING

The MP Series A mounts in the knock-out hole of a junction box. The unit can be placed outside or inside the box with a simple twist-on nut.



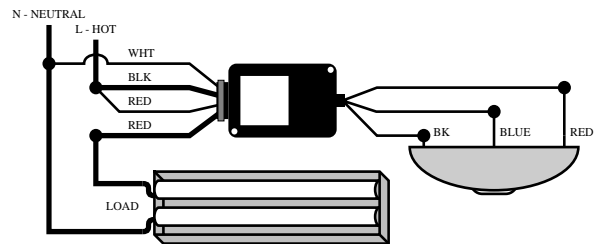
Two holes are provided at each end of the case for mounting, if needed. Standard sheet metal screws can be used.



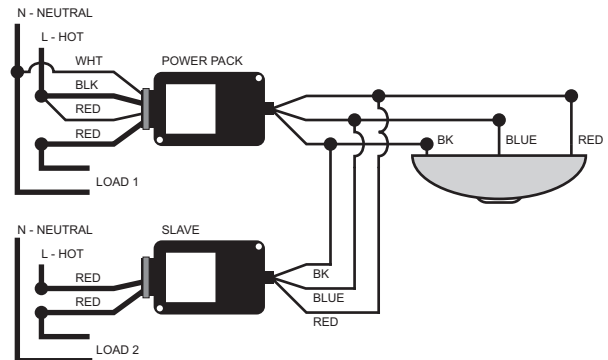
The MP Power Pack Series A can power up to three sensors. The internal relay can control up to 20 amps at either 120, 230 or 277, and 15 amps at 347VAC ballast load.

SENSOR WIRING

Single Load, Single Sensor



Multiple Loads, Single Sensor



ALLOWABLE LOAD CONFIGURATIONS

Two power packs will supply a variety of sensors and slave packs. The table above shows the allowable number of devices the power pack will power.

Omni Sensors	Slaves
1	0
2	0
3	0
1	1
2	1
1	2

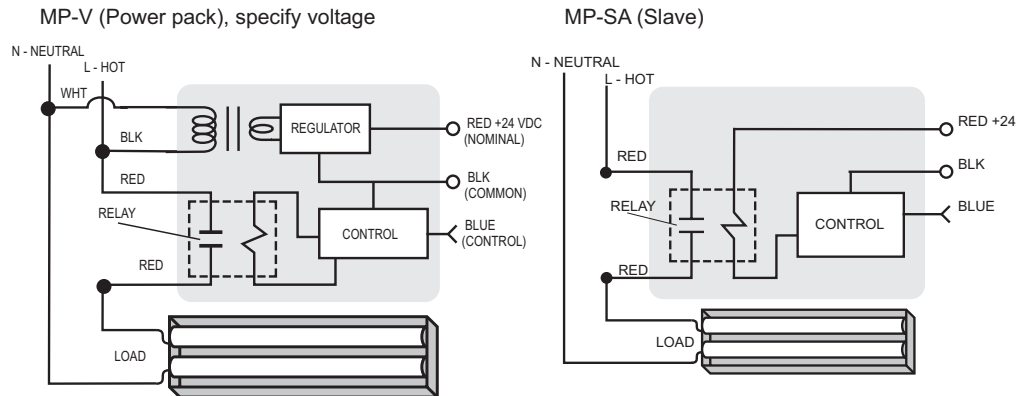
Product Specifications



Models

Part Number	Power Input	Control Input	Power Output
MP-120A	120 VAC, 60Hz	24 VDC, 5 mA	24 VDC, 100 mA
MP-230A	230 VAC, 50 & 60Hz	24 VDC, 5 mA	24 VDC, 100 mA
MP-277A	277 VAC, 60Hz	24 VDC, 5 mA	24 VDC, 100 mA
MP-347A	347 VAC, 60Hz	24 VDC, 5 mA	24 VDC, 100 mA
MP-SA (Slave)	N/A	24 VDC, 5 mA	N/A

Wiring



Specifications

Construction: Case -- High impact, UL rated 94-5V plastic. Relay -- Class B (130°C) insulating material. Silver alloy contacts. Transformer -- Class II 120, 230, 277, or 347 VAC primary (must specify), 24 VDC nominal output. Wire -- 7" leads 18 AWG input, 7" leads 16 AWG contacts.

Size & Weight: 3.69" l x 2.33" w x 1.36" h, 15 oz. (93 mm x 59 mm x 35 mm, 400g.)

Color: Black.

Power Requirements: 120, 230, 277 or 347 VAC (depending upon model number) @ 60Hz.

Output: 24 VDC. 100 mA nominal, full-wave rectified and filtered, unregulated. (Each MYTECH sensor contains an internal voltage regulator.)

Relay Contact Rating:

20 A -- 120/230/277 V Ballast

15 A -- 347 V Ballast

13 A -- 120 V Incandescent

Operating Environment: 32°F to 104°F (0°C to 40°C); 0% to 90% non-condensing, relative humidity. For indoor use only.

Warranty: Five years.

Total Wire Lengths

Load, Wire Size & Wire Length Chart

	1 Sensor 0 Slaves	2 Sensors 0 Slaves	3 Sensors 0 Slaves	1 Sensor 1 Slave	2 Sensors 1 Slave	1 Sensor 2 Slaves
22 AWG	750'	375'	250'	375'	250'	250'
20 AWG	1200'	600'	400'	600'	400'	400'
18 AWG	2400'	1200'	800'	1200'	800'	800'

Wiring Tip: For best operation, wire the power pack to the continuously power-on line, before the wall switch. This keeps the sensor powered even if the switch is off.

